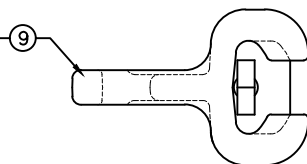


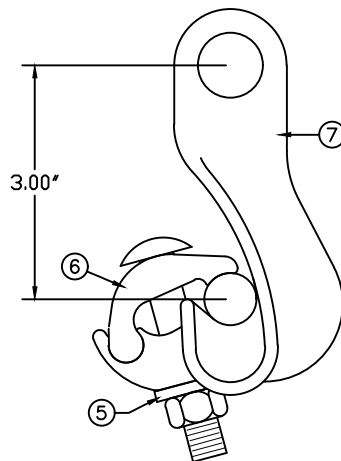
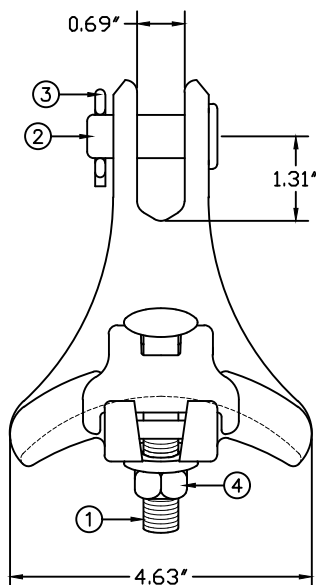
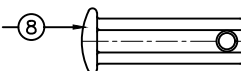
REVISIONS

NO.	DATE	DESCRIPTION	BY	CHKD
1	07/23/14	WAS H-0123-04, P-0304R/1.10K, 0.5-1.092"	WCL	WCL

ASSEMBLE SOCKET EYE TO  
CLAMP BODY ON RALS-2S



HEX PIN REPLACES CLEVIS  
PIN IN RALS-2-N-HP



ITEM NO.	PART NO.	CAT. NO.	DESCRIPTION	QUANTITY			
				A	B	C	D
(R1) 1	P55849	H-0123-05	1/2"x3 1/2" GR5 CARRIAGE BOLT	1	1	1	
2	P56093	H-0315-02	5/8"φ x 1 7/8" CLEVIS PIN	1	-	1	
3	P56109	H-0360-01	COTTER PIN HMP 5/8"	1	1	1	
4	P56137	H-0400-04	1/2"-13 HEX NUT FIN	1	1	1	
5	P56294	H-0500-04	1/2" FLATWASHER	1	1	1	
(R1) 6	P58854	P-0275-01	RALS-2 KEEPER CAS	1	1	1	
(R1) 7	P58881	P-0304	RALS-2 BODY CST (NEW).	1	1	1	
8	P61654	H-0320-03	5/8"φ x 2-1/8" HEX CLEVIS PIN	-	1	-	
9	P56893P	>SI-625	SOCKET EYE	-	-	1	

ASSEMBLY NUMBER	REF. NO.
RALS-2-N	A
RALS-2-N-HP	B
RALS-2S	C
	D

NOTES:

- MATERIAL - BODY & KEEPER:  
ALUMINUM ALLOY A356-T6  
  
HARDWARE:  
STEEL, HOT DIP GALVANIZED PER  
ASTM-A153  
  
COTTER PIN:  
STAINLESS STEEL
- ULTIMATE STRENGTH: 12,000 LBS.
- (R1) CLAMPING RANGE - 0.492" TO 1.250"
- (R1) RECOMMENED TORQUE - 40-45 FT.LBS.



**MACLEAN POWER SYSTEMS**  
A Maclean-fogg Company

ANGLE SUSPENSION CLAMP  
RALS-2-N, RALS-2S, RALS-2-N-HP

ENG. REF.

This information is confidential and is the property of Maclean Power Systems. It may not be made public or reproduced except that the Customer may make copies for use solely in the installation, maintenance, and operation of products supplied by Maclean Power Systems.

DATE: 12/29/2011	SCALE: NONE	NO.	BC8598-1	R / 1	SH 1
DRAWN BY: CDR	CHKD BY:	APR BY:			